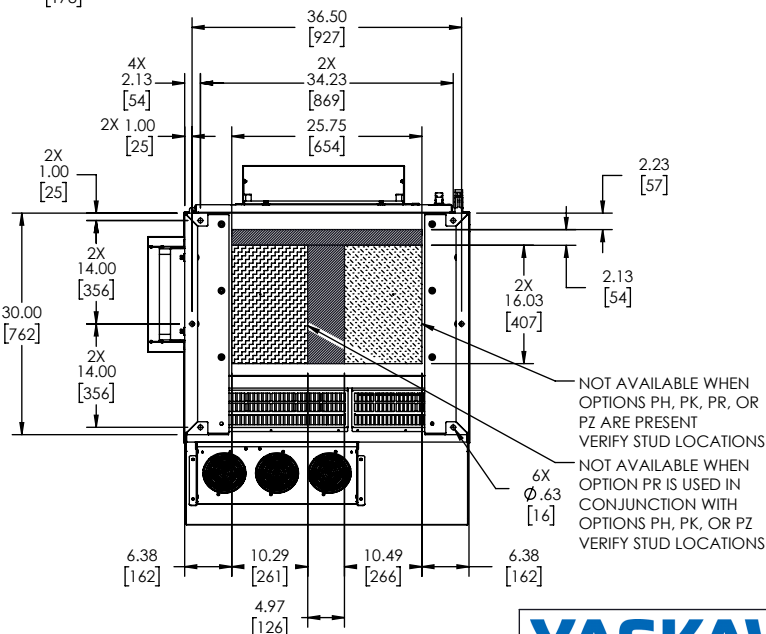
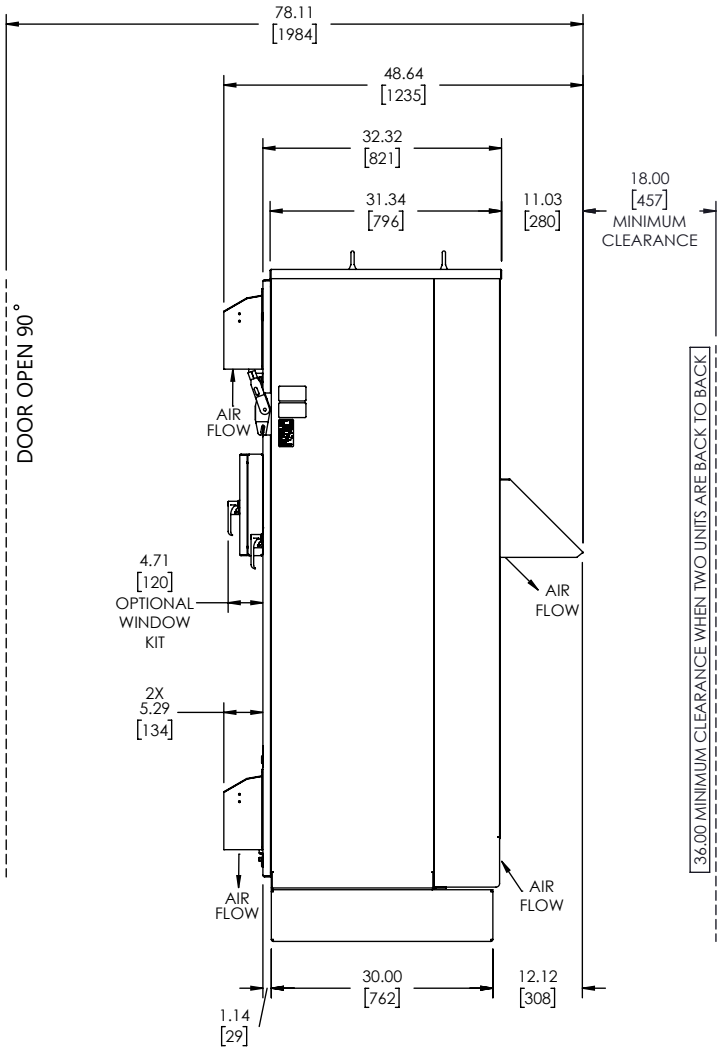
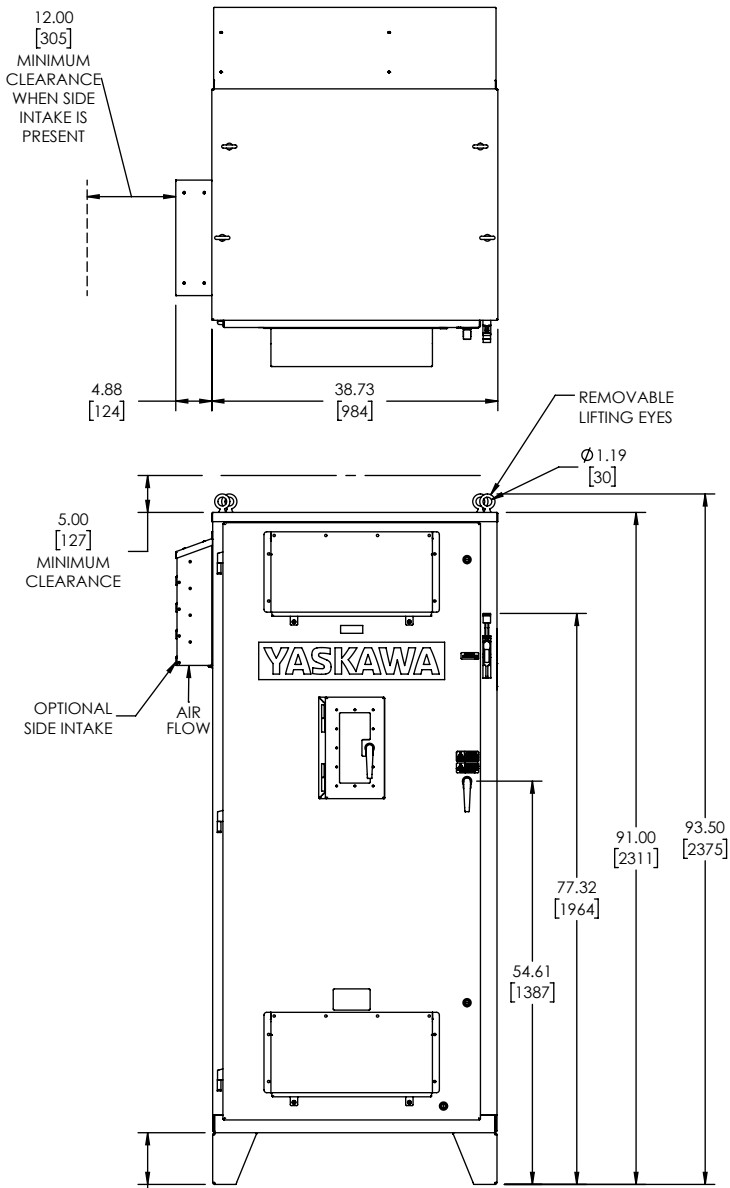


- NOTES:
- A. FOR REFERENCE UNLESS PROPERLY ENDORSED. FOR ADDITIONAL DETAILS AND SPECIFICATIONS, CONSULT YASKAWA AMERICA, INC.
 - B. DIMENSIONS ARE IN INCHES[MILLIMETERS]
 - C. USE APPROPRIATE TYPE RATED HUBS OR FITTINGS TO MAINTAIN ENCLOSURE RATING.
 - D. HATCHED AREA INDICATES PERMISSIBLE CONDUIT ENTRANCE AREA.
 - E. FANS, FILTERS AND/OR CLOSING PLATES ARE SUPPLIED AS NEEDED PER OPTION SELECTIONS.

YASKAWA	ORIGINAL DESIGN: P. Johnson	DATE: 10/08/2019	TITLE: DIMENSION DRAWING, HV WM FP, 600, 3R, F1		
	DRAWN: P. Johnson	DATE: 10/09/2019			
<small>THIS DOCUMENT AND INFORMATION CONTAINED IN IT ARE CONFIDENTIAL AND CANNOT BE COPIED OR DISCLOSED IN WHOLE OR IN PART WITHOUT THE EXPRESS WRITTEN CONSENT OF YASKAWA AMERICA, INC.</small>	CHECKED: D. Guckenberger	DATE: 10/11/2019	SIZE: A	REVISION: 02	PAGE: 1 OF 2
	APPROVED: K. Flierl	DATE: 10/14/2019	DRAWING #: DD.HWF.3R.F1.01		
UNITS: INCHES	SCALE: NONE				



YASKAWA

THIS DOCUMENT AND INFORMATION CONTAINED IN IT ARE CONFIDENTIAL AND CANNOT BE COPIED OR DISCLOSED IN WHOLE OR IN PART WITHOUT THE EXPRESS WRITTEN CONSENT OF YASKAWA AMERICA INC.

ORIGINAL DESIGN: P. Johnson	DATE: 10/08/2019
DRAWN: P. Johnson	DATE: 10/09/2019
CHECKED: D. Guckenberger	DATE: 10/11/2019
APPROVED: K. Flierl	DATE: 10/14/2019

TITLE:
**DIMENSION DRAWING, HV
WM FP, 600, 3R, F1**

SIZE:
A

REVISION:
02

PAGE:
2 OF 2

UNITS: INCHES

SCALE: NONE

DRAWING #:

DD.HWF.3R.F1.01